

UNITED STATES PATENT OFFICE.

CHARLES L. CARTER, OF MARION, INDIANA.

ILLUMINATED SIGN.

No. 850,521.

Specification of Letters Patent.

Patented April 16, 1907.

Application filed November 20, 1906. Serial No. 344,313.

To all whom it may concern:

Be it known that I, CHARLES L. CARTER, a citizen of the United States, residing at Marion, in the county of Grant, State of Indiana, have invented certain new and useful Improvements in Illuminated Signs; and I do hereby declare the following to be a full, clear, and exact description of the invention, such as will enable others skilled in the art to which it appertains to make and use the same.

This invention has relation to illuminated signs; and it has for its object the provision of a sign of the class mentioned that will be effective in use, exceedingly economic of construction and maintenance, and that may be readily installed and cared for in use.

The invention is shown as embodied in the device portrayed in the annexed drawings, forming a part of this specification, in view of which the improved sign will be fully described with respect to its construction and mode of use, and then be pointed out in the subjoined claim.

Of the said drawings, Figure 1 is a front elevation, partly broken away and partly in section. Fig. 2 is a vertical transverse section.

Similar numerals of reference designate similar parts or features, as the case may be, wherever they occur.

In the drawings, 10 designates the sign-board which is hinged to the top of the sign-casing and forms the front thereof. In cross-section the sign-casing is substantially square and the back board 11, like the front sign-board, is hinged at its upper edge to the casing so that it can be raised to gain free access to the interior of the casing.

The letters 12 constituting the sign are painted on the front of the sign-board 10, and apertures are made along the line of the letters to receive therein disks 13, of glass, of suitable construction to be retained in the

said apertures. A slide 14 of gauze of any color that it is desired to impart to the letters when illuminated is constructed to be slid in back of the letters and between the same and the light that shines through the glass disks.

The lights are composed of incandescent lamps or any other illuminating substance 15, arranged in the concave reflectors 16, each contained within a box or casing 17 of rectangular or any other shape in cross-section, or a light, reflector, and casing being supplied for each letter. The said casings, with their lights and reflectors, are placed in the sign-casing back of each of the letters, so as to completely and uniformly illuminate the letters and so that the lights can be readily and suitably placed to suit the letters and illuminate the sign.

The reflector may be made of bright tin or other metal or material that has reflective property.

The letters painted on the sign-board will be in such color or character as to have the sign show clearly in day-light.

By having the sign-board as well as the back board hinged to the sign-casing free access is had to the lights and their reflectors and casings, so as to correct anything that may go wrong in the sign-casing.

What is claimed is—

A sign comprising a casing having the front composing a lettered illuminatory sign hinged to the casing, and the back board also hinged to the casing, each capable of being swung open on its hinges, and an individual light and reflector for each letter removably supported in the casing.

In testimony whereof I affix my signature in presence of two witnesses.

CHARLES L. CARTER.

Witnesses:

WILLIAM L. LEUFERTY,
LEWIS F. DE NOY.

No. 850,521.

PATENTED APR. 16, 1907.

C. L. CARTER.
ILLUMINATED SIGN:
APPLICATION FILED NOV. 20, 1906.

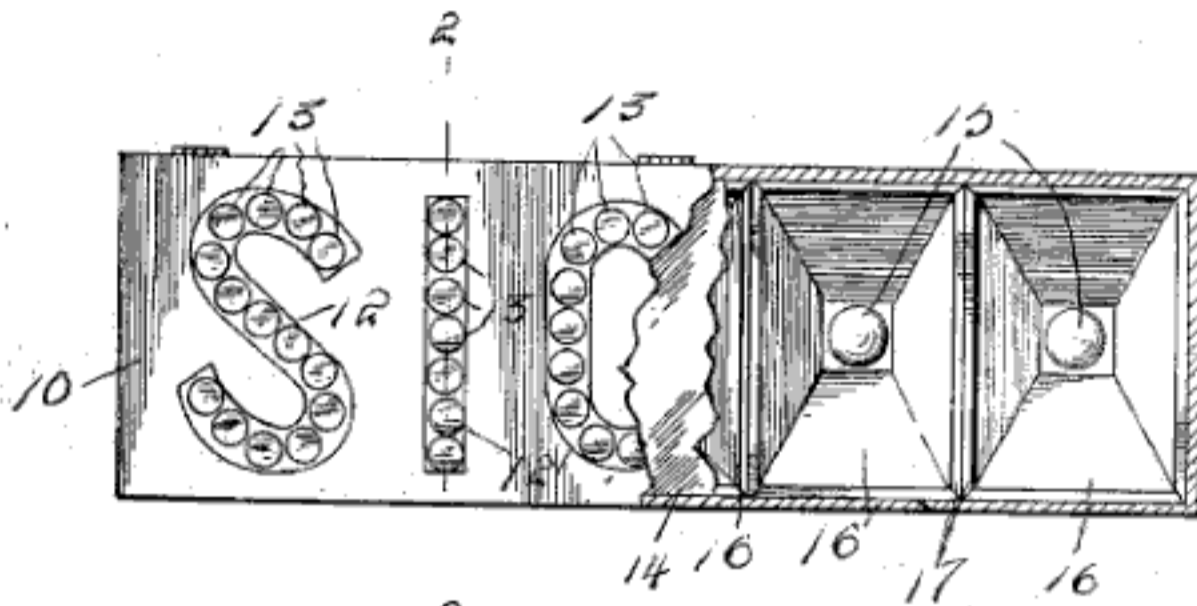


Fig. 1

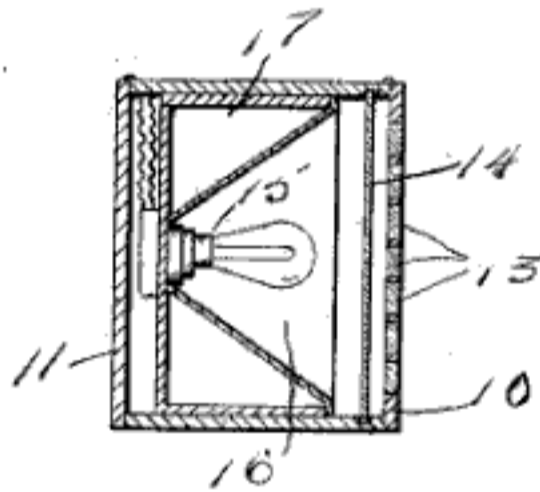


Fig. 2.

Inventor

Charles L. Carter.

By

Charles Chandler

Attorney

Witnesses

J. C. Simpson.
J. W. Currier